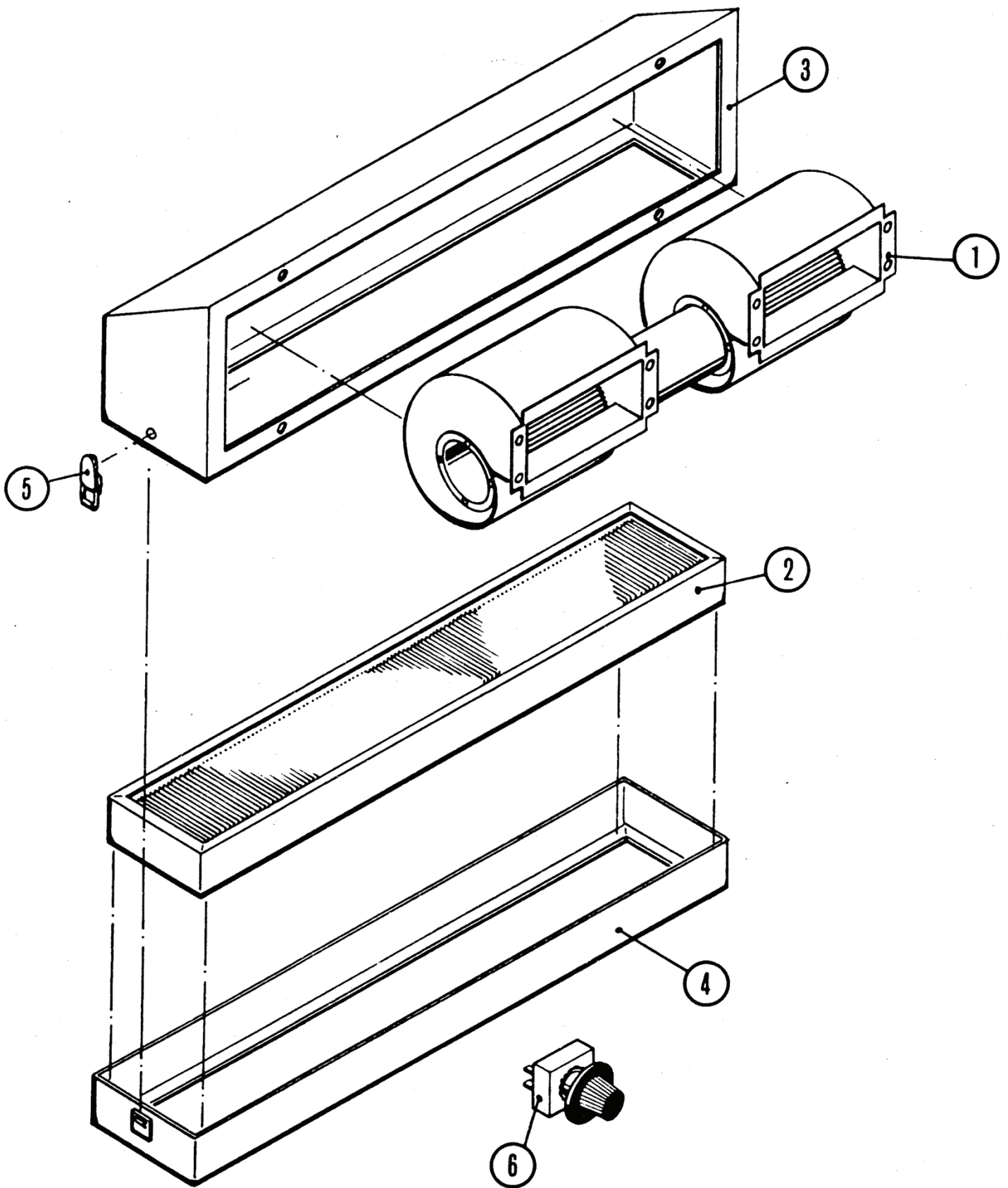


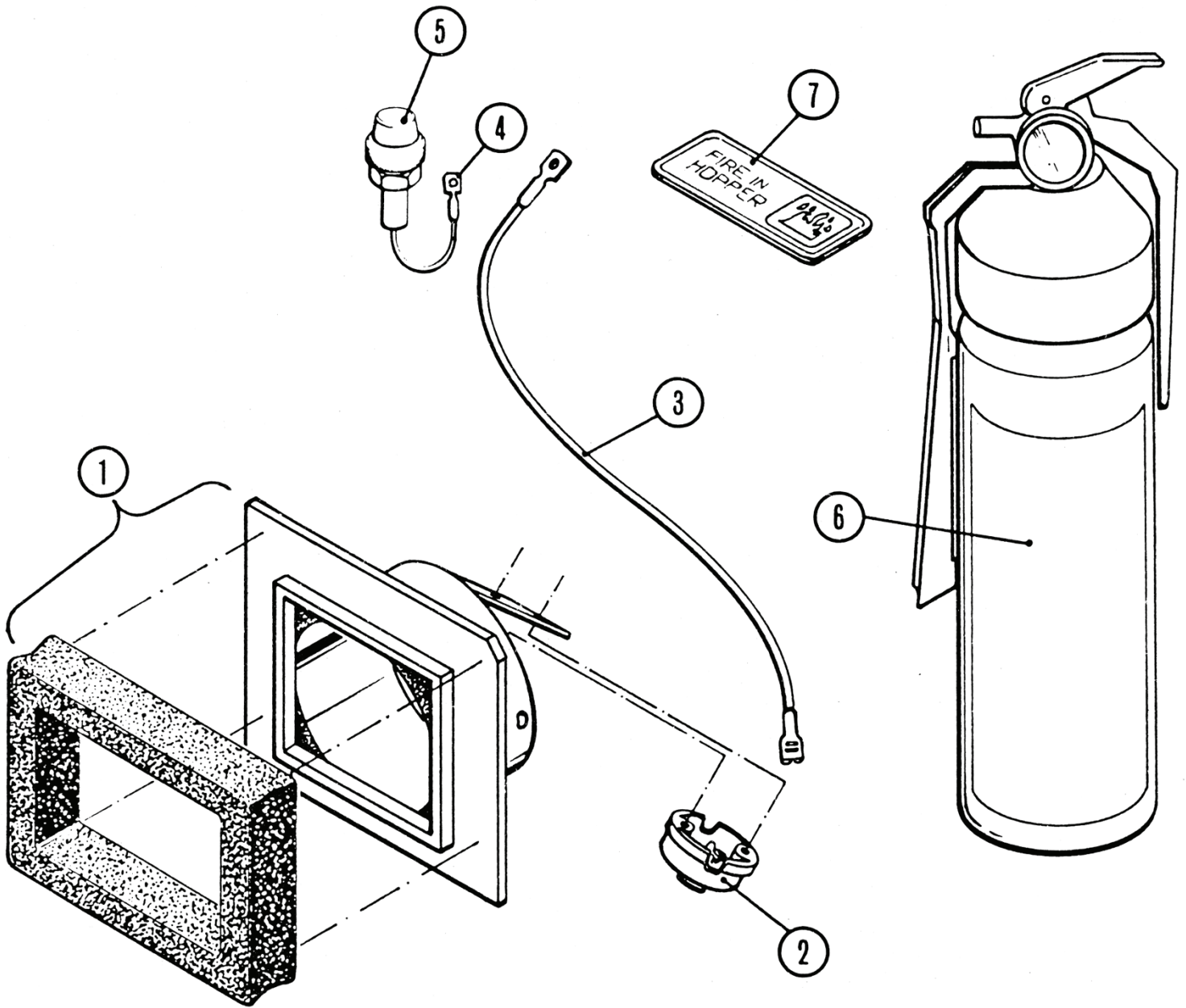
HEATER/DEFROSTER

ITEM NUMBER	PART NUMBER	DESCRIPTION
1	302495	Heater Cab Option
2	303303	Ftg - Tee 3/8 NPT
3	303304	Ftg- Nipple 3/8
4	303302	Ftg- Reducer 3/8 NPT x 1/4 NPT
5	302144	Clamp - Hose #6
6	303251	Bracket - Heater Mnt



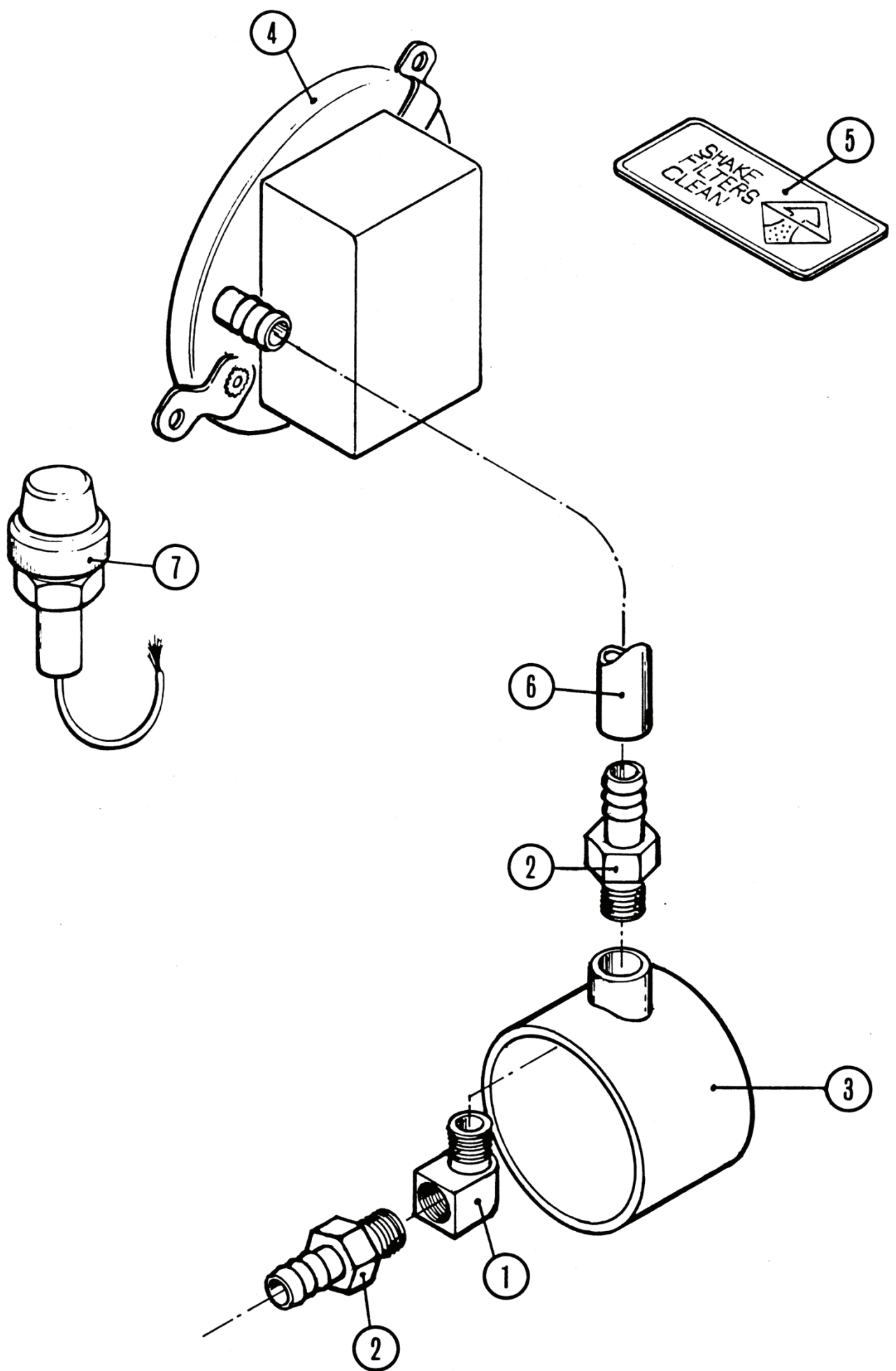
PRESSURIZER

ITEM NUMBER	PART NUMBER	DESCRIPTION
1	302934	Pressurizer - Cab
2	302936	Filter - Pressurizer
3	303509	Assembly - Housing Cab Pressurizer
4	303512	Assembly - Filter Retainer Cab Pressurizer
5	303513	Latch - Cab Pressurizer
6	303072	Switch - 3 - Speed



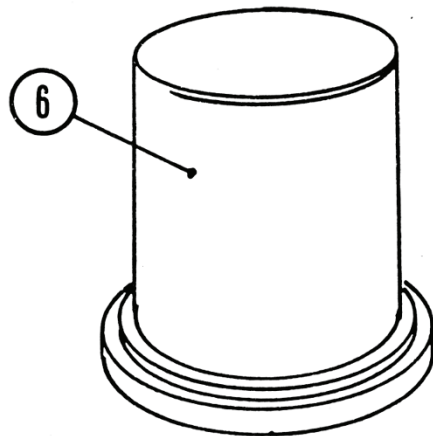
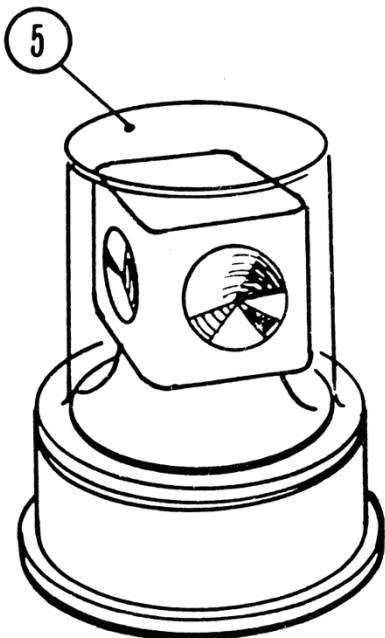
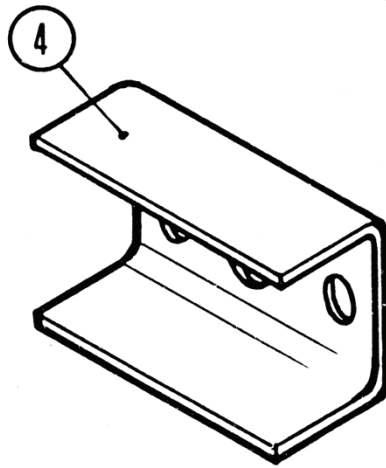
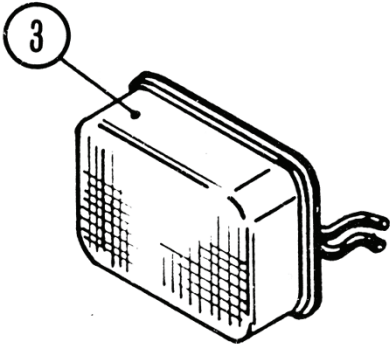
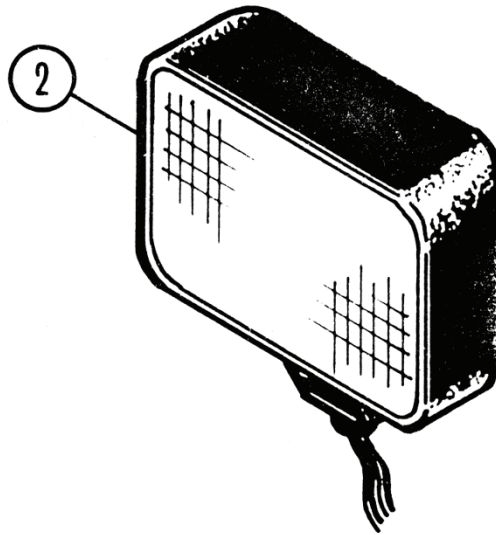
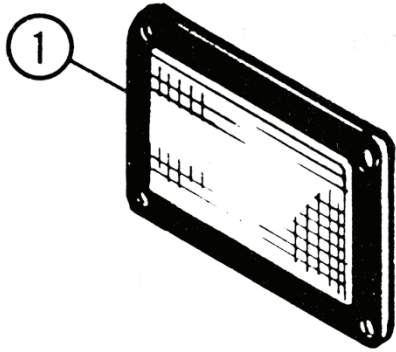
HOPPER FIRE INDICATOR

ITEM NUMBER	PART NUMBER	DESCRIPTION
1	303083	Assy - Gask Mnt Fire Sensor
2	403003	Sensor - Fire
3	303580	Kit - Hopper Fire Warning Wiring
4	302462	Terminal - Male Snap Plug
5	301553	Light - Trash Relocator
6	302769	Extinguisher - Fire
7	302521	Decal - Fire Option



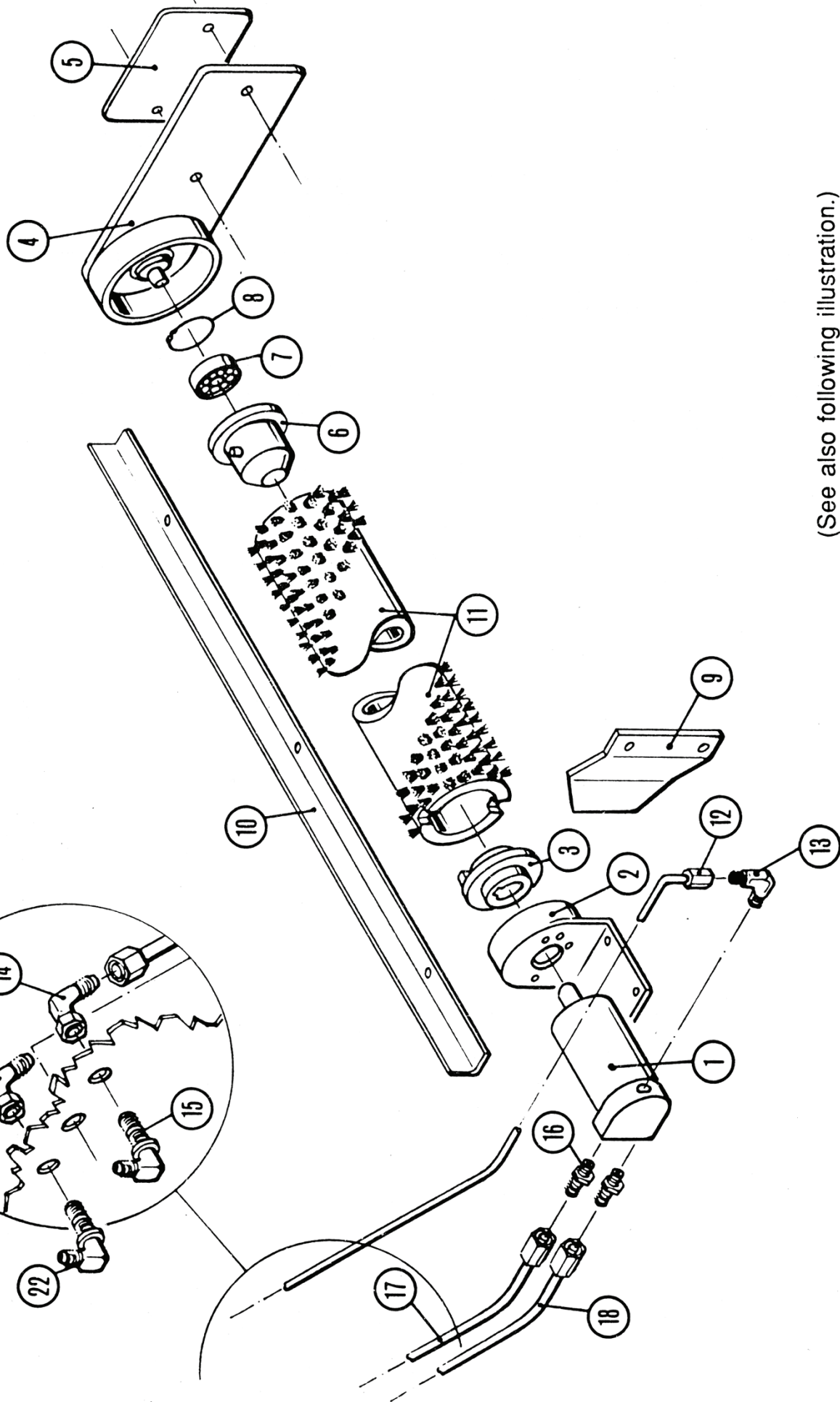
CLOGGED FILTER INDICATOR

ITEM NUMBER	PART NUMBER	DESCRIPTION
1	400260	Ftg - 90° El 1/4 NPT x 1/4 NPT
2	400261	Ftg - Hose Barb 3/8 NPT x 5/16 Hose
3	303515	Assembly - Clogged Filter Mount
4	303327	Vacuum - Switch
5	302518	Decal - Filter (Dirty)
6	303516	Hose - Clogged Filter
7	301553	Light - RTR



LIGHT OPTIONS

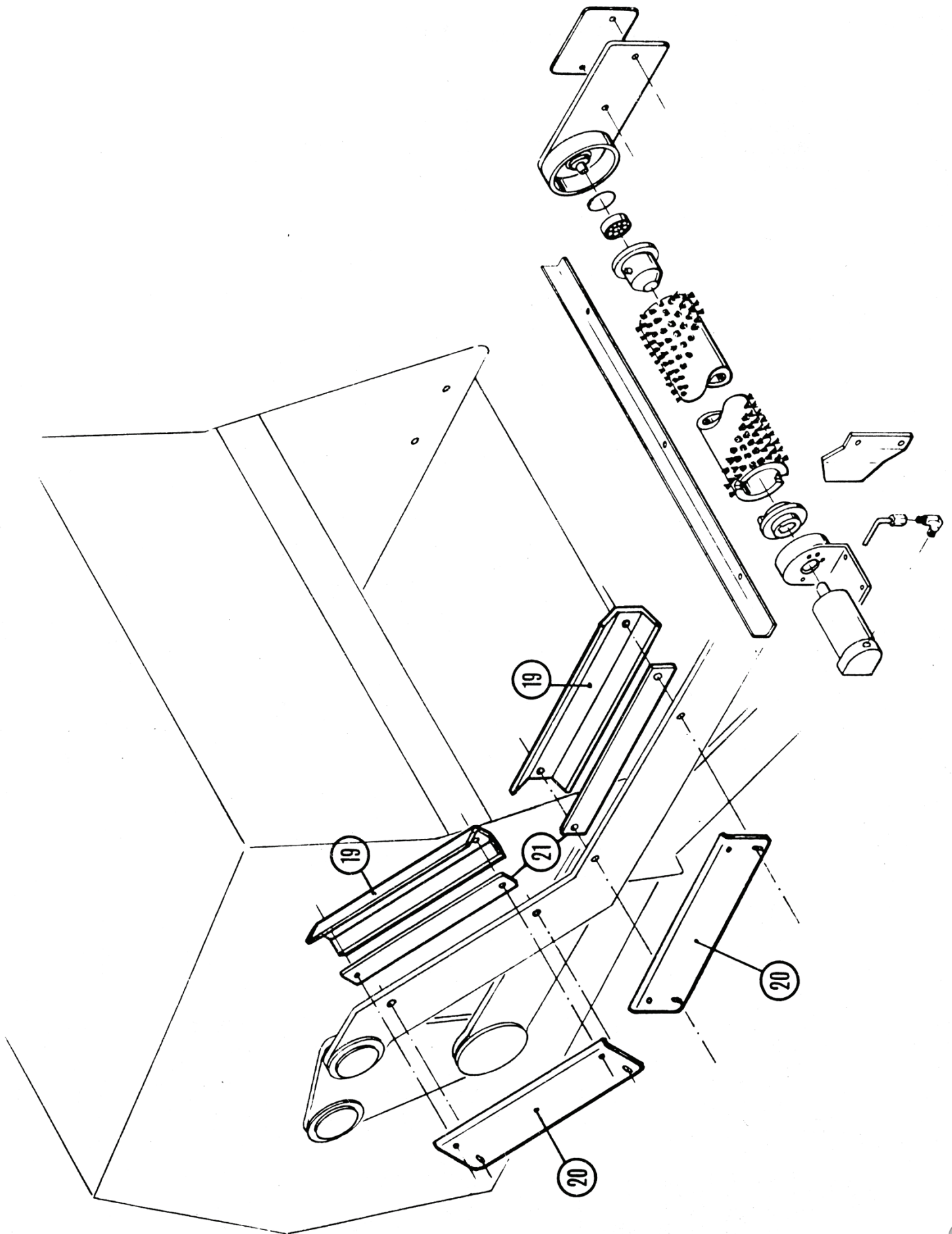
ITEM NUMBER	PART NUMBER	DESCRIPTION
1	301359	Headlight Flush Mount
2	301360	Headlight Stud Mount
3	303204	Light Tail/Combination
4	303206	Bracket Tail Light Guard
5	302654 302626 301347	Light Emergency Rotating Amber Light Emergency Rotating Blue Light Emergency Rotating Red
6	301816 302627 302628 302630 302629 301817	Light Emergency Flasher Red Light Emergency Flasher Amber Light Emergency Flasher Blue Light Safety Blue Strobe Light Safety Red Strobe Light Safety Amber Strobe



(See also following illustration.)

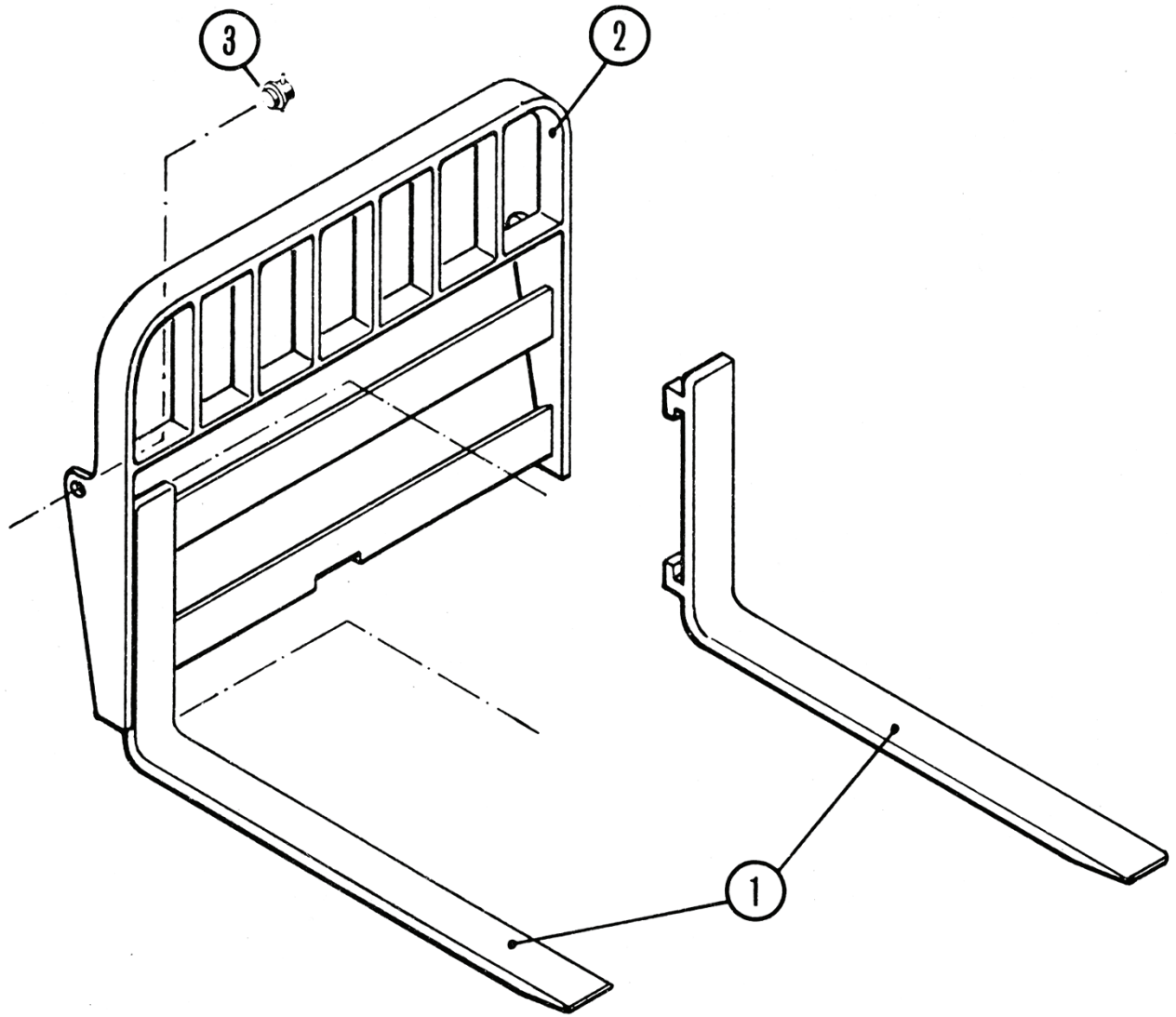
POWER PACKER HIGH DUMP ASSEMBLY

ITEM NUMBER	PART NUMBER		DESCRIPTION
	Series 88	Series 78	
1	303041		Motor - Hydraulic Power Packer
2	303042		Assembly - Drive Mnt Power Packer
3	303048		Assembly - Drive Hub
4	303044		Assembly - Idler Mnt
5	303046		Spacer - Idler Mnt
6	302806		Idler - Power Packer
7	303058		Bearing - 1.57 OD x .669 ID
8	303059		Ring - Ret Int 1.575
9	303060		Guard - Motor
10	303070	303071	Guard - Broom
11	303062	303063	Broom - Power Packer
12	303061		Assembly - Case Drain Tube Complete
13	303052		Ftg - 90° El 3/8 - 24 to #3
14	303065		Ftg - Swivel 90° #4
15	303154		Ftg - 90° Bulkhead #4
16	303050		Ftg - STR 9/16 - 18 to #6
17	303162		Assembly - Inlet Tube Hydraulic Motor Power Packer
18	303163		Assembly - Outlet Tube Hydraulic Motor Power Packer
19	301711		Clip - Hydraulic Hose Pntd
20	303170		Brkt - Hyd Hose Power Packer
21	303171		Bar - Hydraulic Hose Retainer
22	303051		Ftg 90° Bulkhead #6
23	303065		Ftg Swivel 90° #6



POWER PACKER HIGH DUMP ASSEMBLY (cont.)

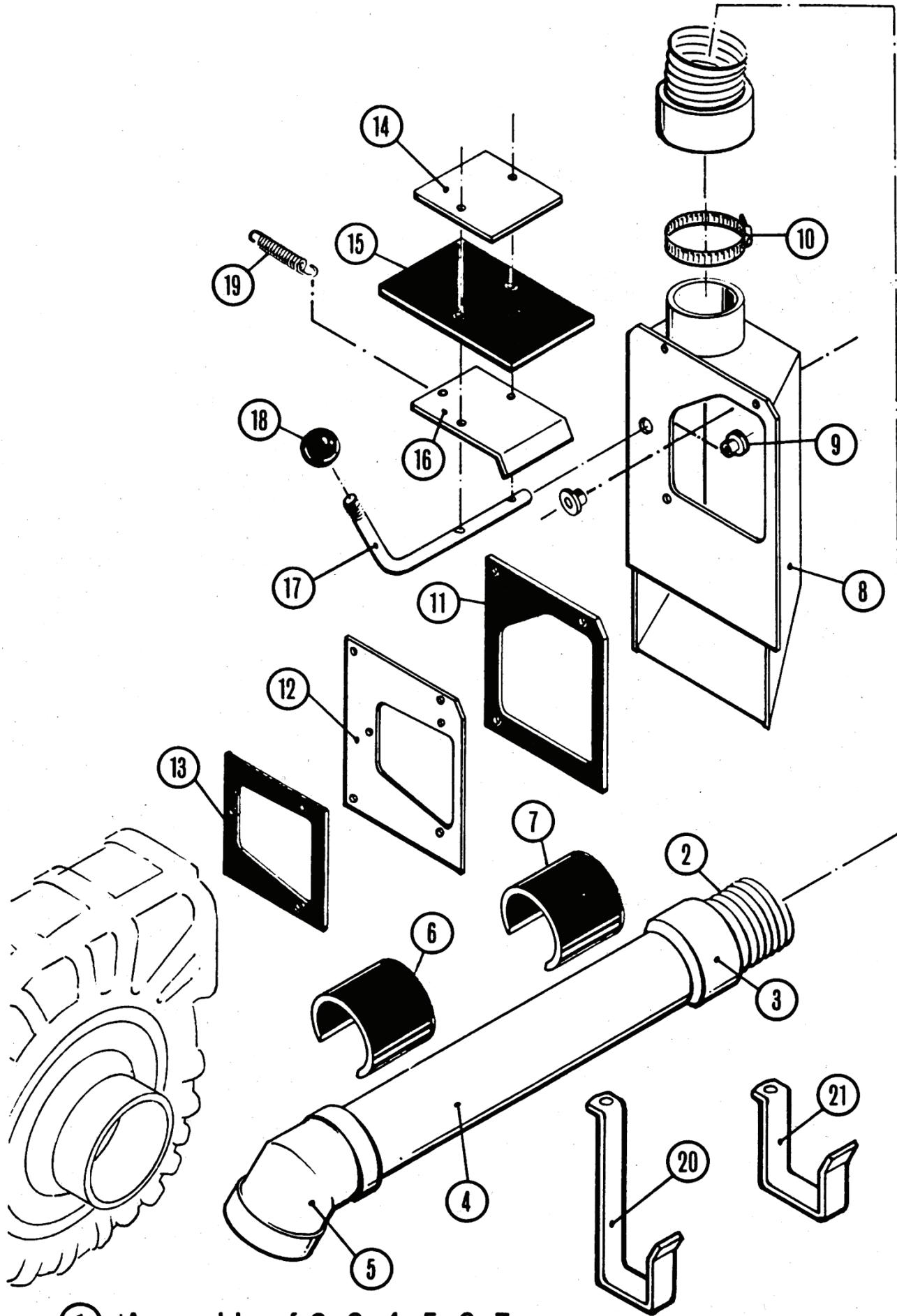
ITEM NUMBER	PART NUMBER		DESCRIPTION
	Series 88	Series 78	
1	303041		Motor - Hydraulic Power Packer
2	303042		Assembly - Drive Mnt Power Packer
3	303048		Assembly - Drive Hub
4	303044		Assembly - Idler Mnt
5	303046		Spacer - Idler Mnt
6	302806		Idler - Power Packer
7	303058		Bearing - 1.57 OD x .669 ID
8	303059		Ring - Ret Int 1.575
9	303060		Guard - Motor
10	303070	303071	Guard - Broom
11	303062	303063	Broom - Power Packer
12	303061		Assembly - Case Drain Tube Complete
13	303052		Ftg - 90° El 3/8 - 24 to #3
14	303065		Ftg - Swivel 90° #4
15	303154		Ftg - 90° Bulkhead #4
16	303050		Ftg - STR 9/16 - 18 to #6
17	303162		Assembly - Inlet Tube Hydraulic Motor Power Packer
18	303163		Assembly - Outlet Tube Hydraulic Motor Power Packer
19	301711		Clip - Hydraulic Hose Pntd
20	303170		Brkt - Hyd Hose Power Packer
21	303171		Bar - Hydraulic Hose Retainer
22	303051		Ftg 90° Bulkhead #6
23	303065		Ftg Swivel 90° #6



POWERSTACK GROUP

ITEM NUMBER	PART NUMBER		DESCRIPTION
	Series 88	Series 78*	
1	301925		Assembly - Fork Lift Tine Pntd
2	301934	301941	Assembly - Fork Lift Pntd
3	301920		Retainer - Fork Lift

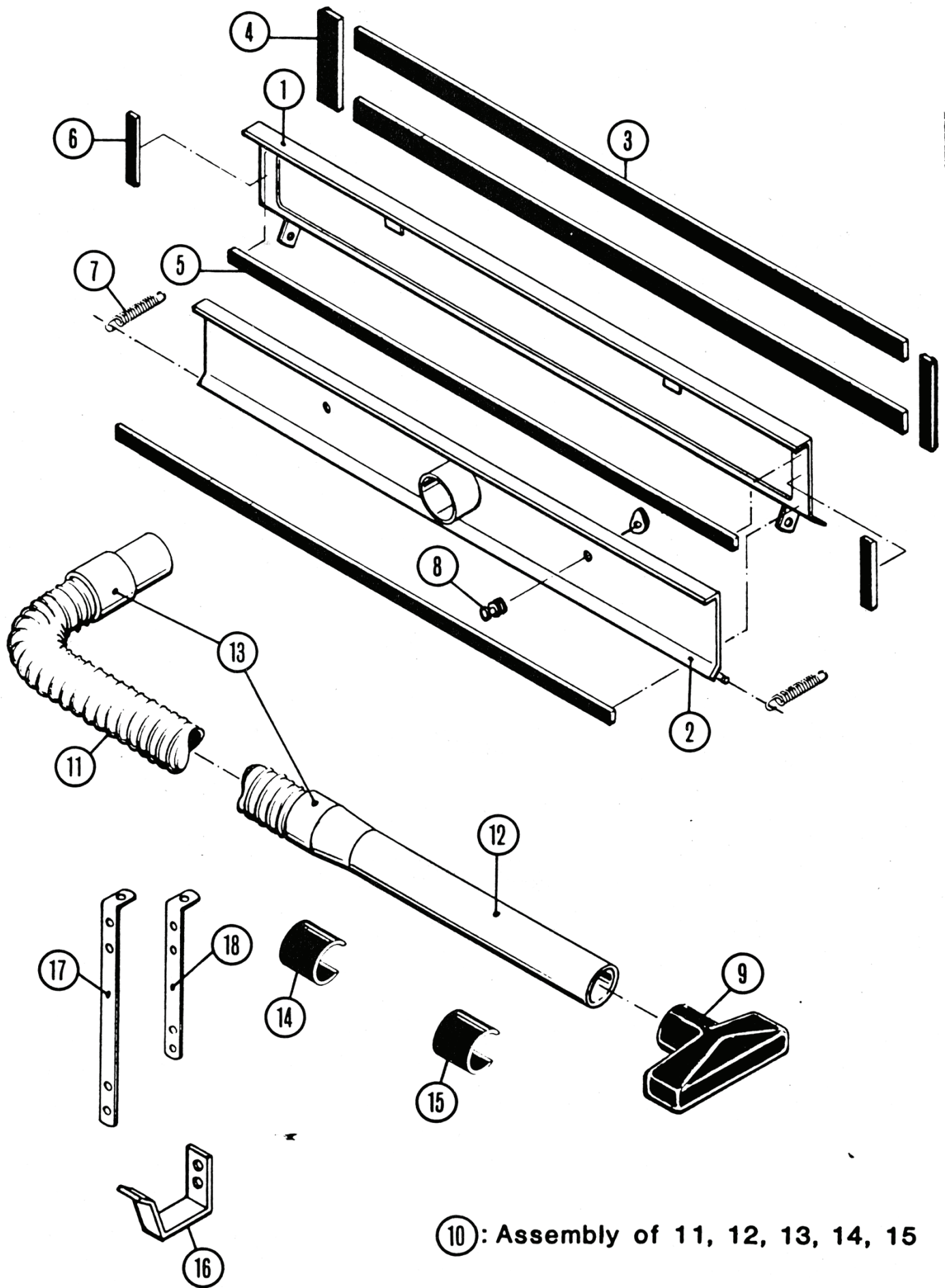
*When no numbers appear in this column, the parts number for the 78 Series is the same as that for the 88 Series.



1: Assembly of 2, 3, 4, 5, 6, 7

BLOWER OPTION

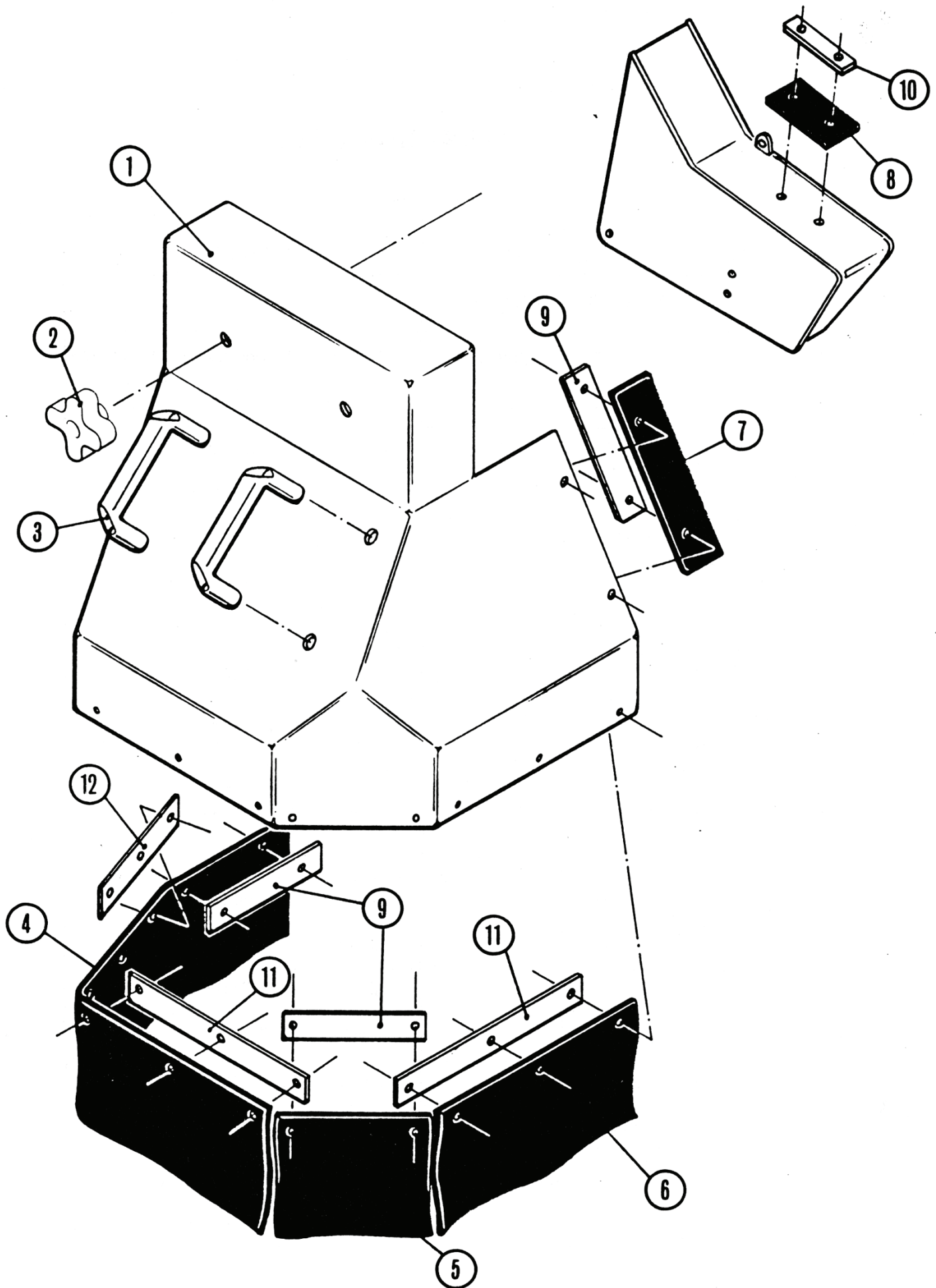
ITEM NUMBER	PART NUMBER	DESCRIPTION
1	302337	Assembly- Blower Wand
2	302329	Hose - 2 1/2" ID Tuff-Lite Blower Opt
3	302203	Cuff 2 1/2" ID Tuff-Lite Blower Opt
4	302330	Pipe - 2" Nom Diameter PVC Blower Opt
5	302331	EI 45° -2" Nom Diameter Blower Opt
6	302333	Sheet - Anti-Slip Pad Sm
7	302332	Sheet - Anti-Slip Pad Lg
8	302213	Assy - Manif Blower Pntd
9	300414	Bushing - Plastic Mn Brm
10	300336	Clamp - Hose 2 1/2" Nom
11	302223	Gskt - Frt Plate Blower
12	302221	Plate - Frt Blower
13	302220	Gskt - Blower Imp
14	302226	Plate - Gasket Ret Blower Pntd
15	302225	Gskt - Blower Shut-Off
16	302224	Plate - Blower Shut-Off Pltd
17	301418	Rod-Hopper Shut-Off
18	300563	Knob-Ball Pltd
19	302228	Spring-Extension Blower
20	302529	Bracket Hose Ret - Blower Opt Short
21	302530	Bracket Hose Ret. - Blower Opt Long



VACUUM WAND

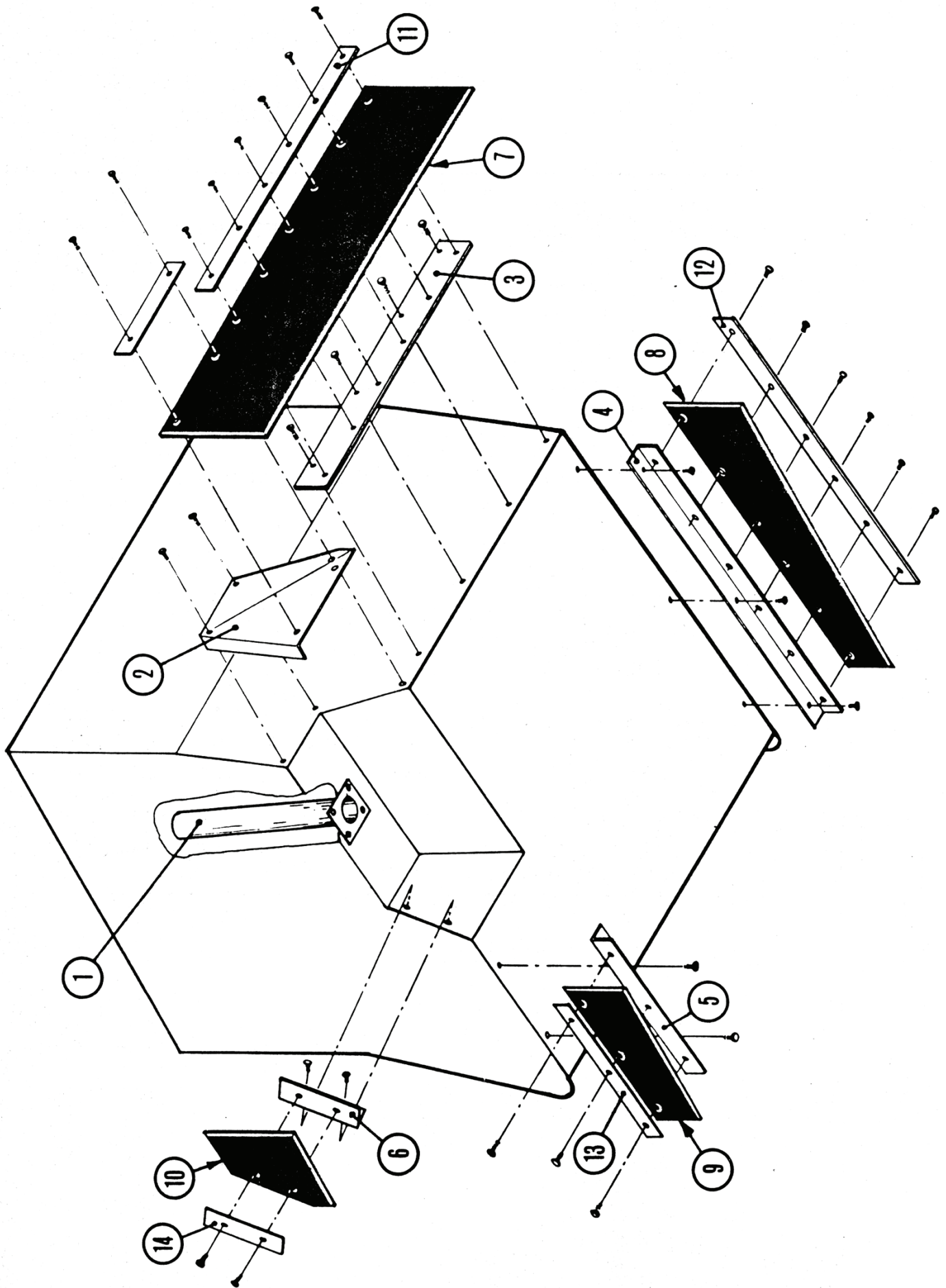
ITEM NUMBER	PART NUMBER		DESCRIPTION
	Series 88	Series 78*	
1	302309	302418	Assembly - Mount Vacuum Wand Pntd
2	302305	302416	Assembly - Door Vacuum Wand Pntd
3	302449	302450	Gasket - Vacuum Wand Opt
4	303139		Gasket - Vacuum Wand Mnt Sht
5	302316	302415	Gasket - Door Vacuum Wand Long
6	302315		Gasket - Door Vacuum Wand Short
7	302448		Spg - Vacuum Wand Opt
8	302324		Latch - Vacuum Wand Opt
9	303139		Nozzle - Vacuum Wand Opt
10	302336	302451	Assembly - Vacuum Wand Opt
11	302334	302329	Hose - 2 1/2" ID Tuff-Lite
12	302335		Pipe - 2" Nom Dia PVC
13	302203		Cuff - 2 1/2" ID Tuff-Lite
14	302332		Sheet - Anti-Slip Pad Large
15	302333		Sheet - Anti-Slip Pad Short
16	302314		Bracket Hose Retainer
17	303433		Bar Hose Retainer Long
18	303434		Bar Hose Retainer Short

*When no number appears in this column, the parts number for the 78 Series is the same as that for the 88 Series.



VACUUMIZED CURB BROOM (HOOD DETAIL)

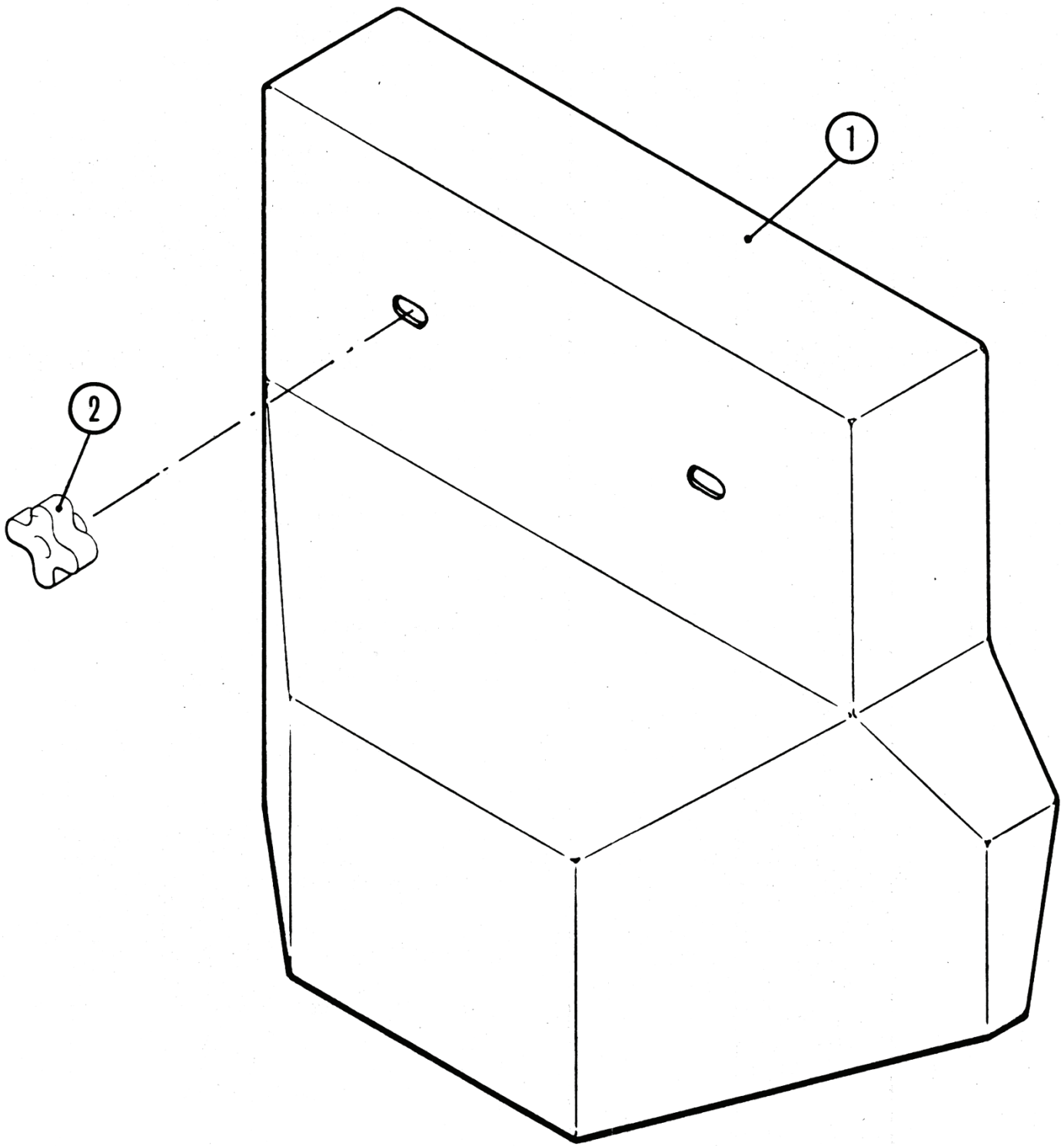
ITEM NUMBER	PART NUMBER	DESCRIPTION
1	303260	Assy - VS Brm Hood Pntd
2	303179	Knob - Alum Hand
3	301297	Handles - Plastic
4	303281	Flap - VS Brm Hood
5	303283	Flap - VS Brm Hood Frt Corner
6	303282	Flap - VS Brm Hood Frt
7	303284	Flap - VS Brm Hood Top Frt
8	303285 303286	Flap - VS Brm Arm HD Flap - VS Brm Arm LD
9	303277	Strap - VS Brm Hood Pltd
10	303290 303277	Strap - VS Brm Arm Flap SPT (Low Dump Only) Strap - VS Brm Hood Pltd (High Dump Only)
11	303275	Strap - VS Brm Hood Frt & Side
12	303276	Strap - VS Brm Hood Back Cor



VACUUMIZED CURB BROOM (HOPPER DETAIL)

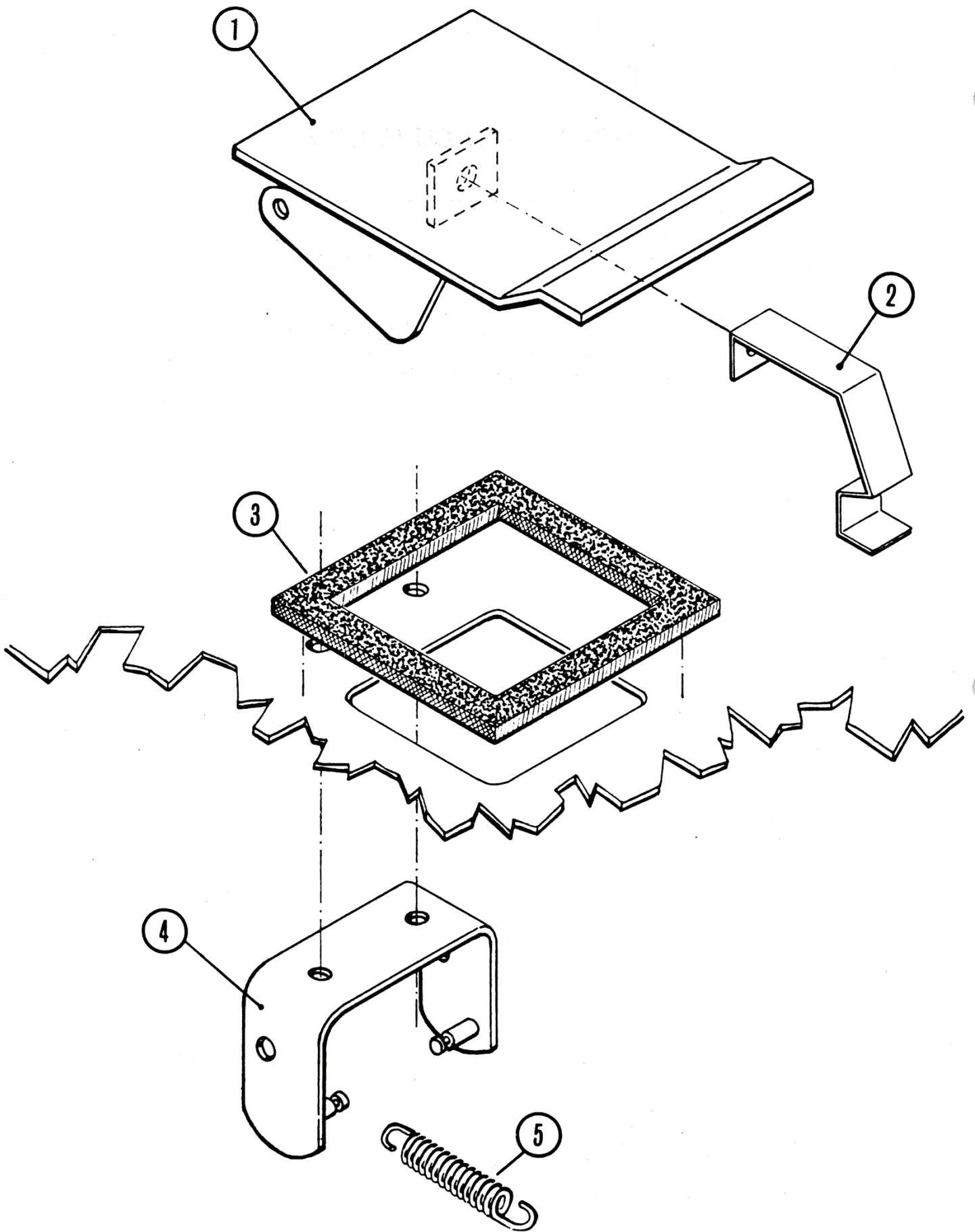
ITEM NUMBER	PART NUMBER		DESCRIPTION
	Series 88	Series 78*	
1	303265		Assembly - VS Brm Tube Hopper
2	303268		Plate - VS Brm Hopper Frt
3	303269	303287	Bar - VS Brm Hopper Frt
4	303271		Bar - VS Brm Hopper Left Side
5	303311		Bar - VS Brm Hopper Right Side (New)
	303270		Bar - VS Brm Hopper Right Side (Old)
6	303566		Bar - VS Brm Hopper Cut-Out
7	303278		Flap - VS Brm Hopper Frt
8	303279		Flap - VS Brm Hopper Left Side
9	303313		Flap - VS Brm Hopper Right Side (New)
	303280		Flap - VS Brm Hopper Right Side (Old)
10	303567		Flap - VS Brm Hopper Cut-Out
11	303272		Strap - VS Brm Hopper Frt & Left Side
		303288	Strap - VS Brm Hopper Frt
12	303272		Strap - VS Brm Hopper Frt & Left Side
13	303312		Strap - VS Brm Hopper Right Side (New)
	303274		Strap - VS Brm Hopper Right Side (Old)
14	303273		Strap - VS Brm Hopper Frt Sht

*When no number appears in this columns, the parts number for the 78 Series is the same as that for the 88 Series.



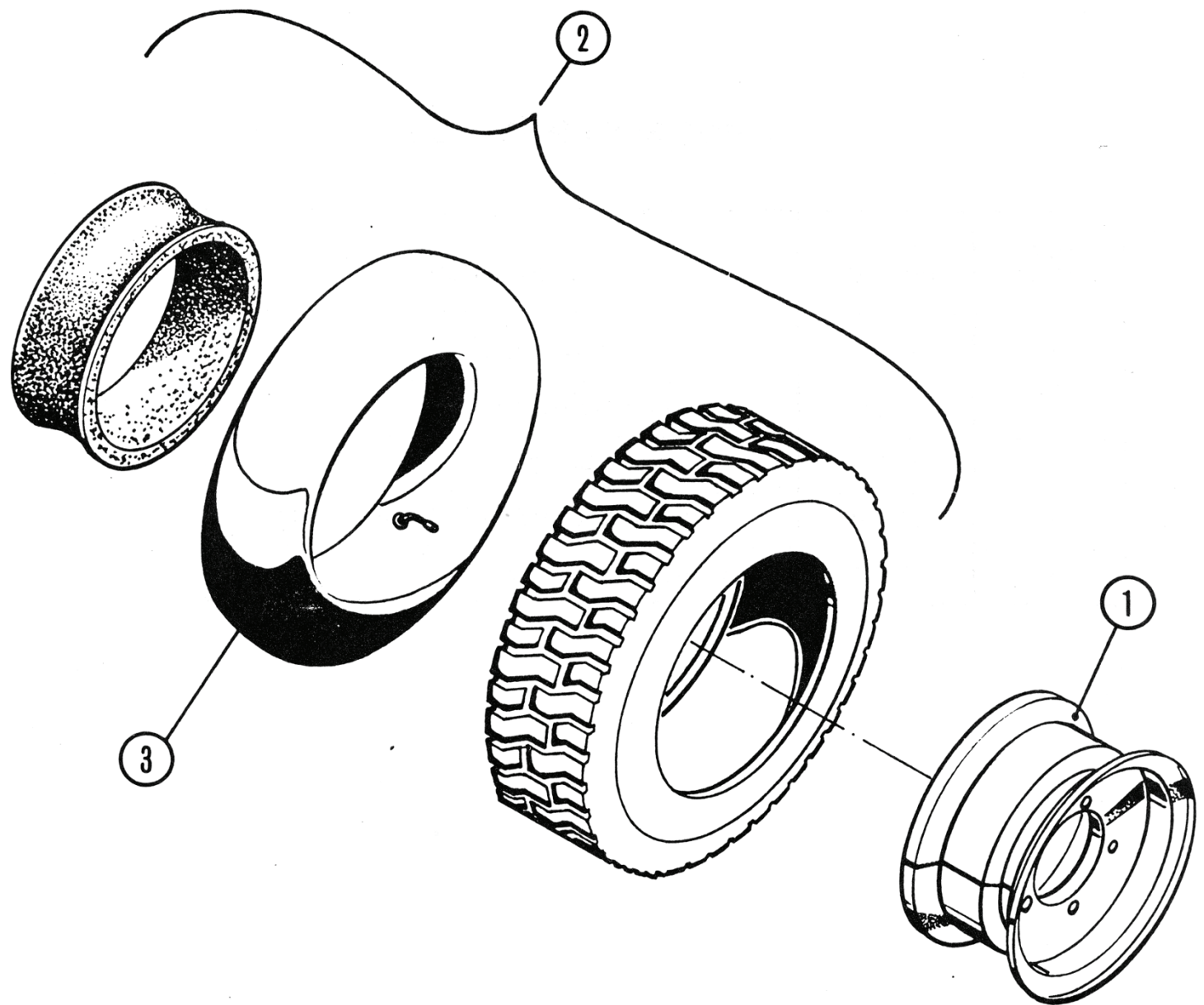
HEAVY DUTY CURB BROOM GUARD

ITEM NUMBER	PART NUMBER	DESCRIPTION
1	303119	Assembly - HD CB Guard Pntd
2	303179	Knob - Alum Hand



WET SWEEP BYPASS

ITEM NUMBER	PART NUMBER	DESCRIPTION
1	302273	Assembly - Cover W/Swp
2	302312	Latch - Wet/Sweep Pltd
3	302317	Gasket - Wet/Sweep
4	302269	Assembly - Mounting Bracket Wet/Sweep Pntd
5	302229	Spring - Ext Wet/Sweep



MICHELIN TIRE ASSEMBLY

ITEM NUMBER	PART NUMBER	DESCRIPTION
1	302734	Rim - Radial Tire
2	302735	Assembly - Tire Michelin Radial
3	302736	Tube - Tire Michelin (SP)

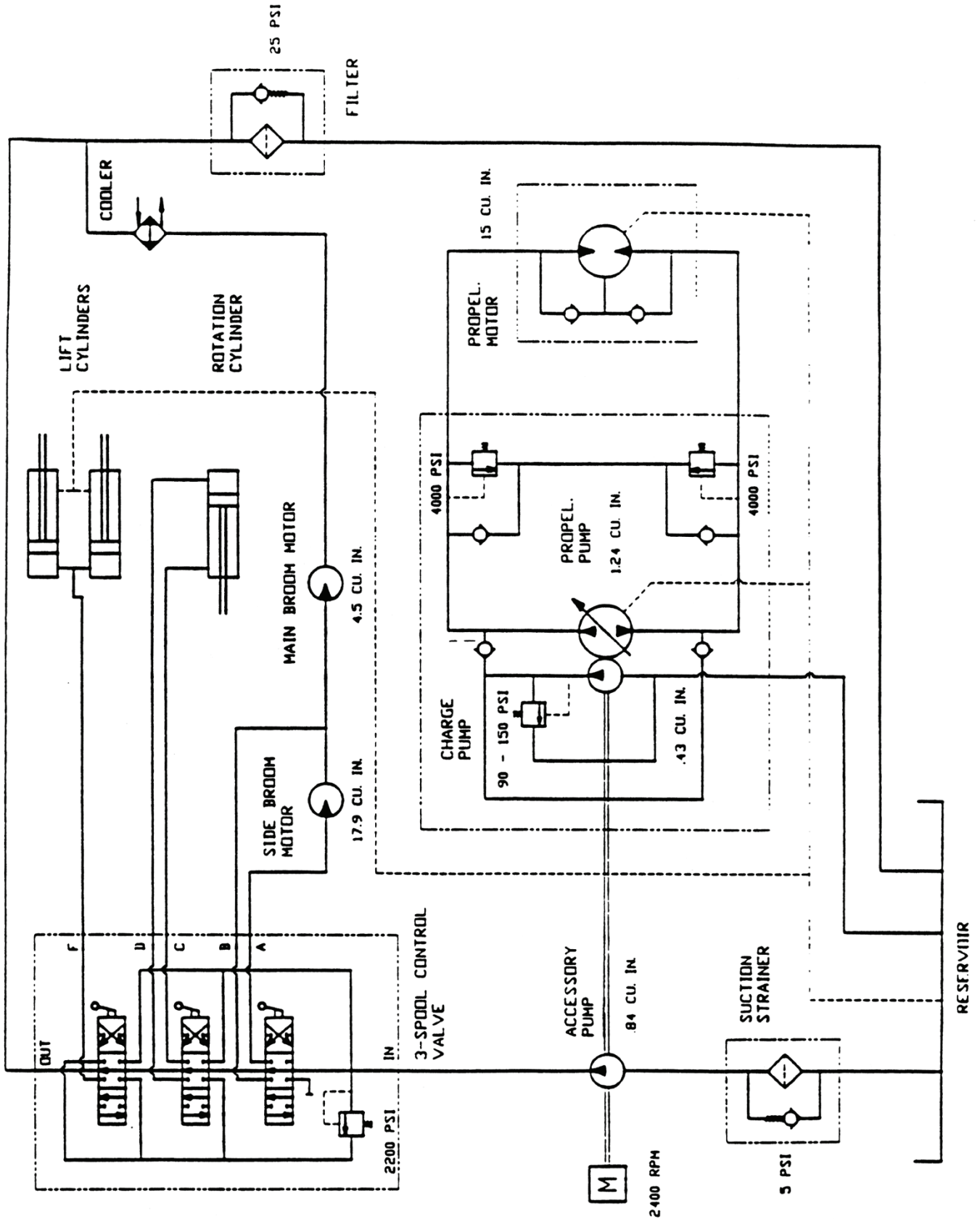


Figure 4-16. SW/90 High Dump Hydraulic Schematic

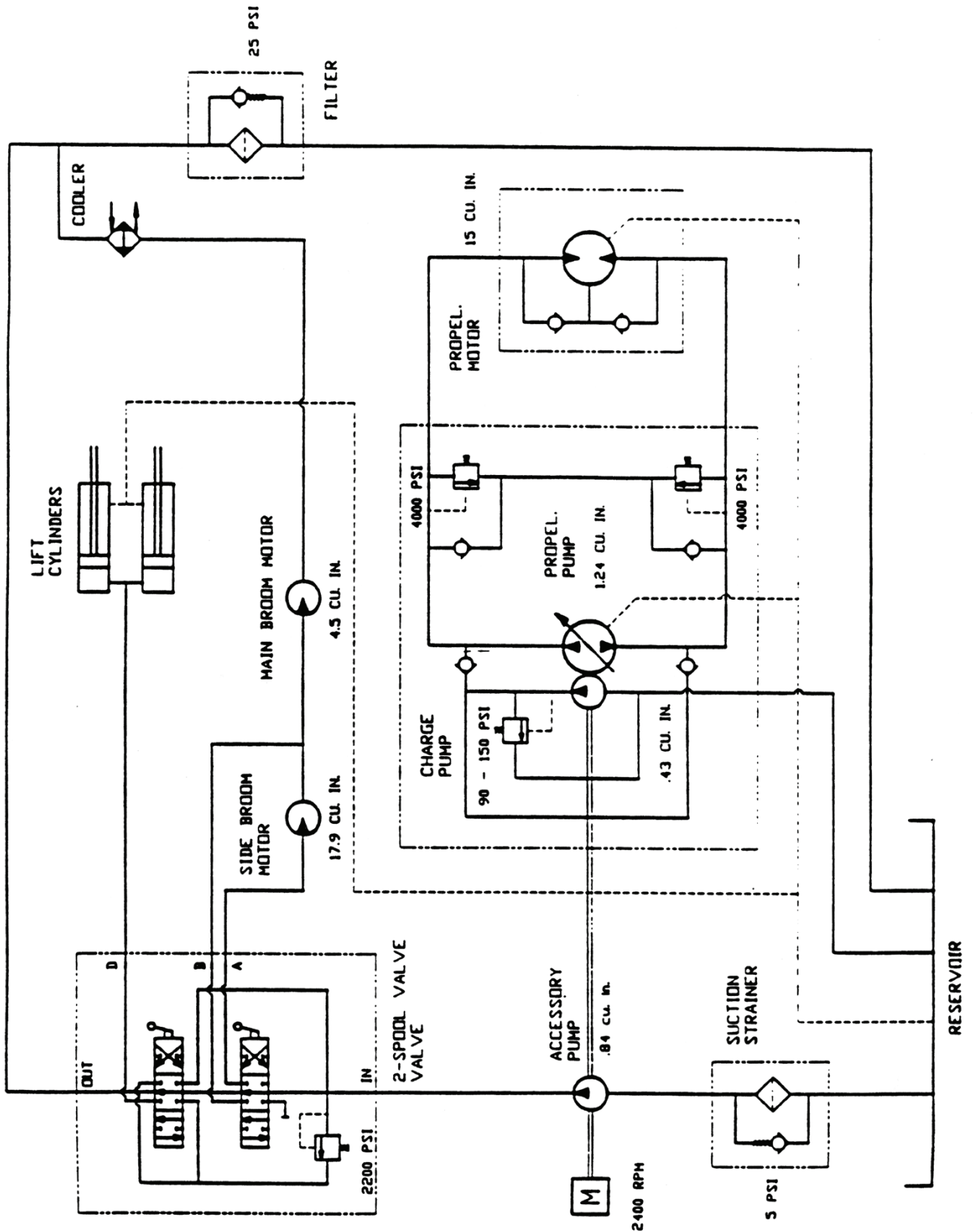


Figure 4-17. SW/90 Low Dump Hydraulic Schematic

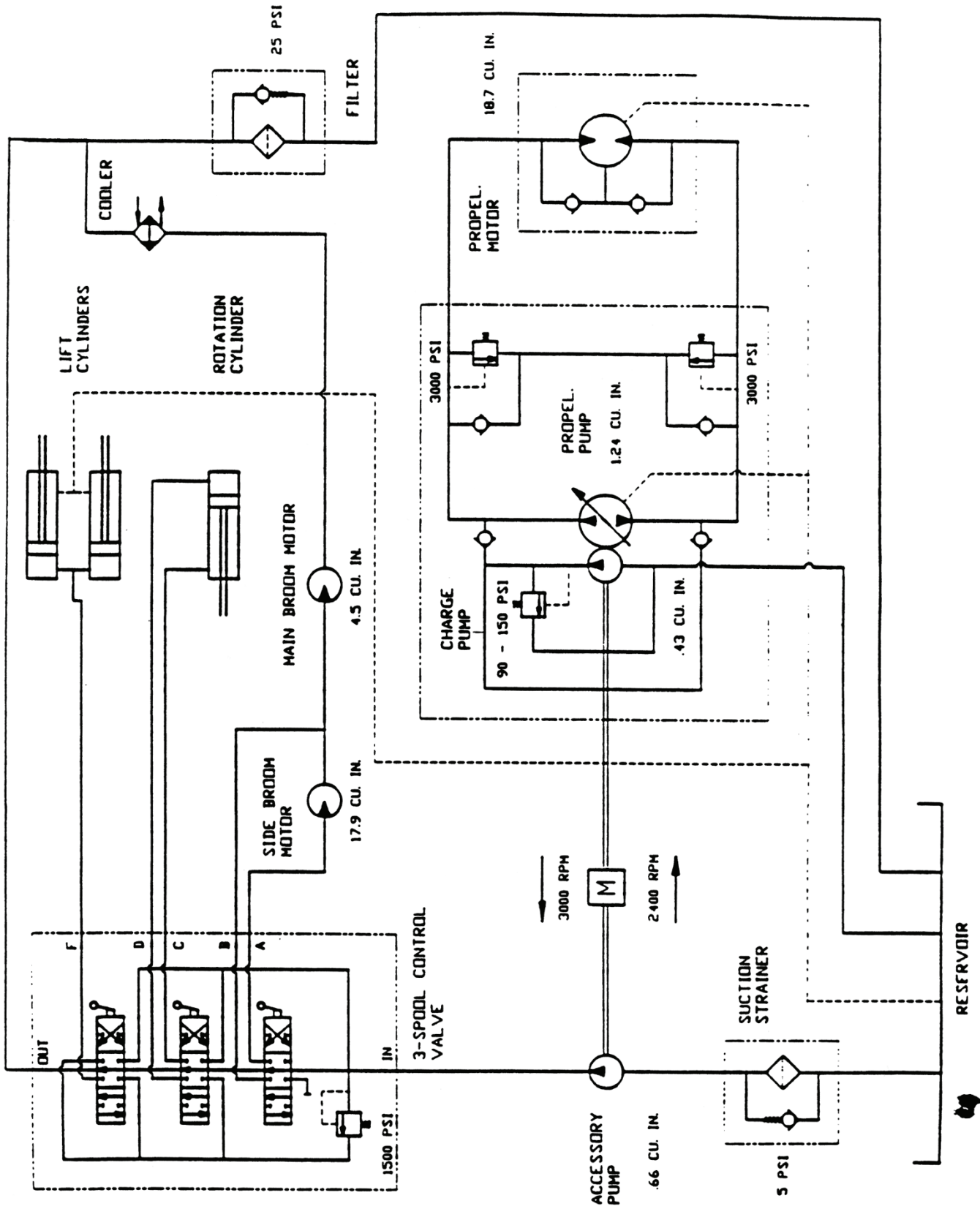


Figure 4-18. SW/80 High Dump Hydraulic Schematic

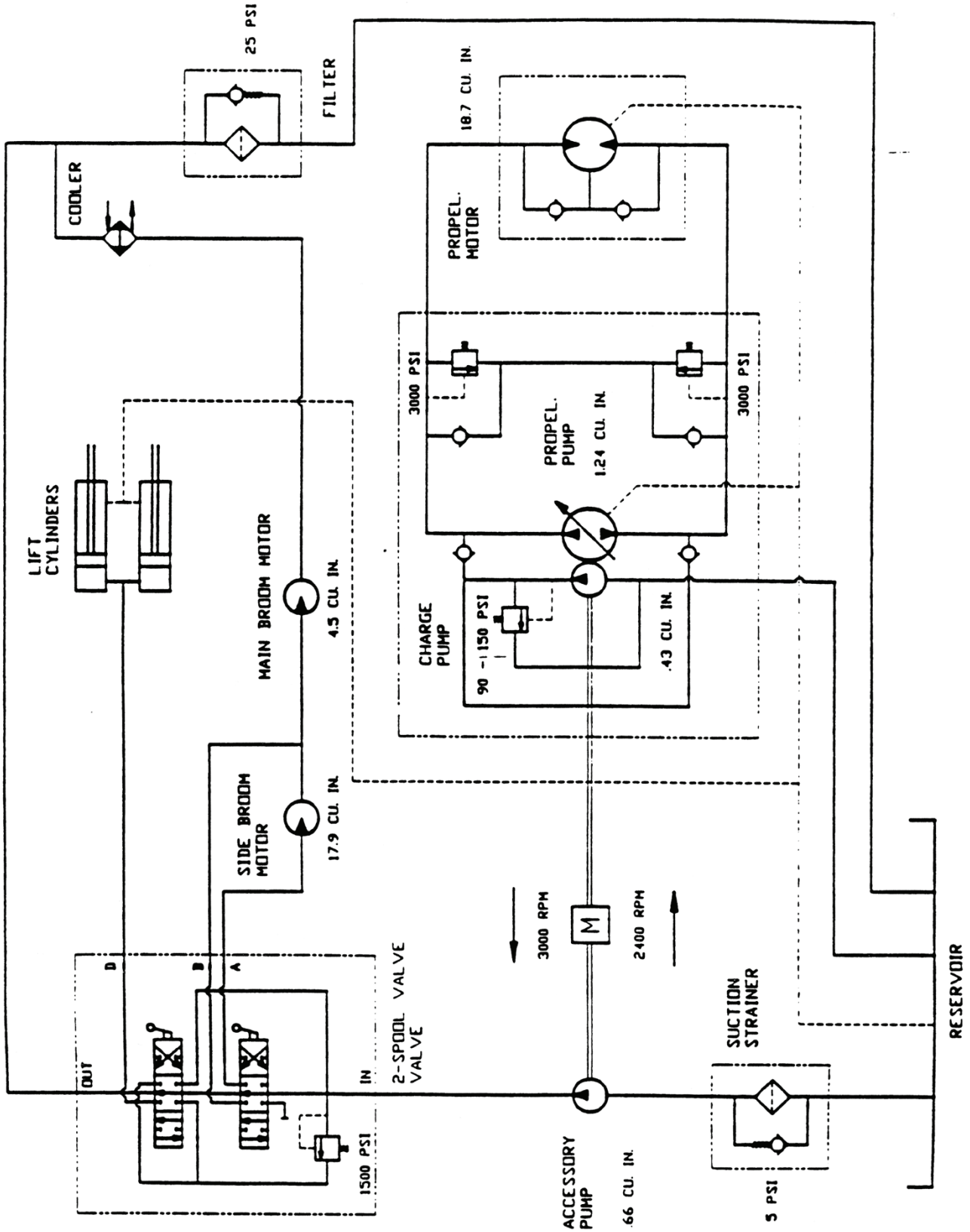


Figure 4-19. SW/80 Low Dump Hydraulic Schematic